

H450 FIXED (PICTURE WINDOW)

FEATURES

- ◇ Commercial Framing System
 - 3 1/4" main frame
 - Historically-correct bevel frame exterior
 - Minimum of 0.080" wall thickness, 0.70 on TDL
 - Available with or without integral nailing fin
- ◇ Thermally Enhanced Design
 - Thermally-broken main frame and vent rails
 - Azon pour and debridge thermal break technology
- ◇ Glazing
 - 1" insulating glass

BENEFITS

- ◇ Historically accurate profiles to help your project meet Historic Preservation codes
- ◇ The capacity to match exterior colors for unique project facades
- ◇ The ability to facilitate large sizes for taller and wider window openings

OPTIONS

- ◇ Available Configurations
 - Fixed
 - Continuous frame capabilities
- ◇ Muntin Choices
 - Internal or simulated divided lites available
- ◇ Screen
 - Wicket Screen (Push-out model only)
- ◇ Glazing
 - Multiple Low-E and argon glazing choices
 - Glazing pocket can accept 1 3/8" insulating glass for sound attenuation purposes
 - Capillary tubes
 - Wide variety of glazing, tinting and thickness options
- ◇ Panning & Trim Choices
 - Wide variety of panning, receptor and trim available
- ◇ Mulling
 - Wide variety of structural mulls

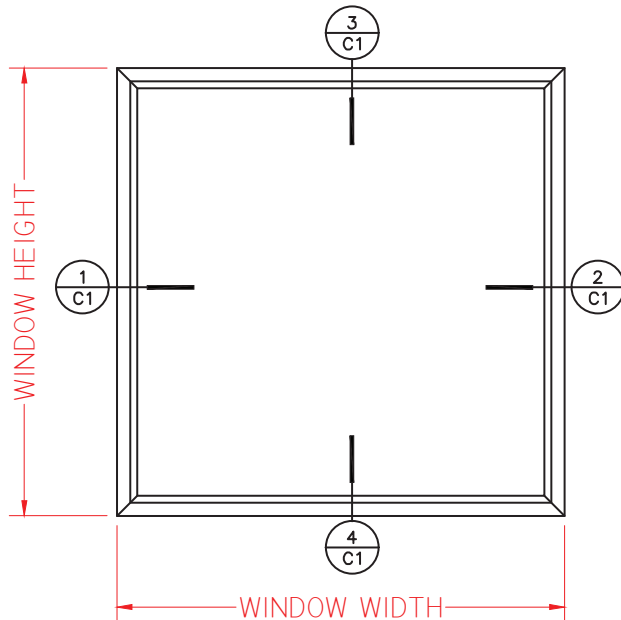
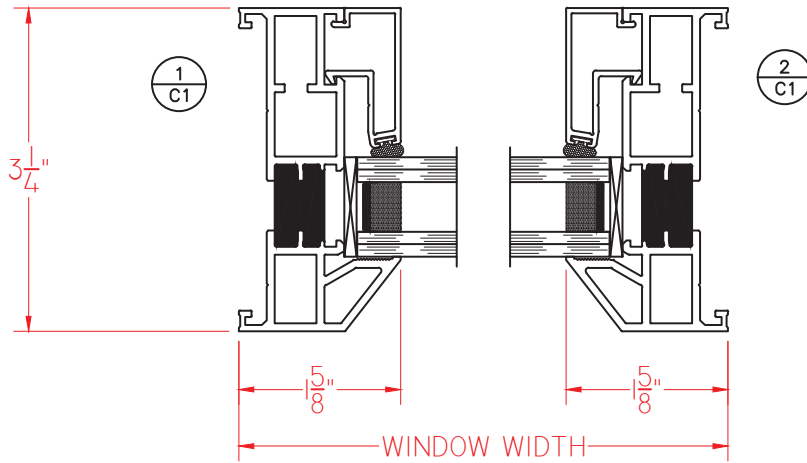
PERFORMANCE

- ◇ Structural & Thermal (test reports or thermal simulations available upon request)

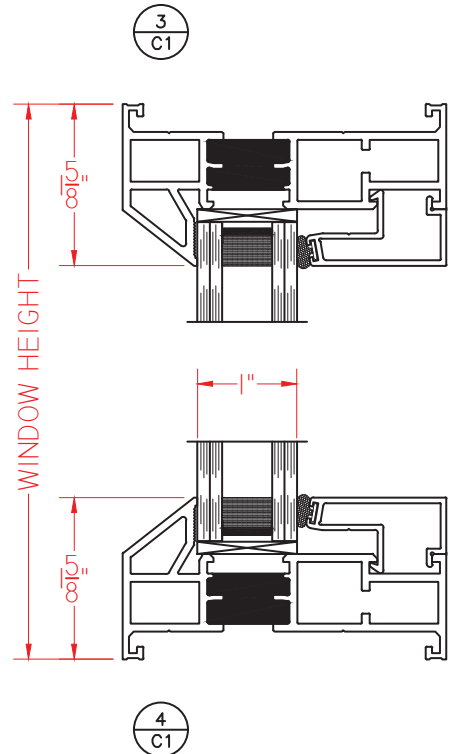
Model	Fixed (Picture Window)	
	Test Size:	72" x 120"
NAFS Rating	AW50	AW110
Structural Load P.S.F.		105
Air at 50 MPH (cfm/ft ²)	<0.01	
Water (No Penetration) P.S.F.	15.04	
U-Value (ranges based on multiple Low-E/Argon combinations)	0.26-0.50	
SHGC (ranges based on multiple Low-E/Argon combinations)	0.16-0.69	

H450 FIXED (PICTURE WINDOW) WITHOUT NAIL FIN

This document contains confidential and proprietary information intended for the private use of Quaker.
© 2020 Quaker Window Products Co., INC. All rights reserved.
Quaker reserves the right to change any/all designs without notice. Due to periodic re-certification requirements, result shown may vary.



ELEVATION SCALE 3/4" = 1'-0"

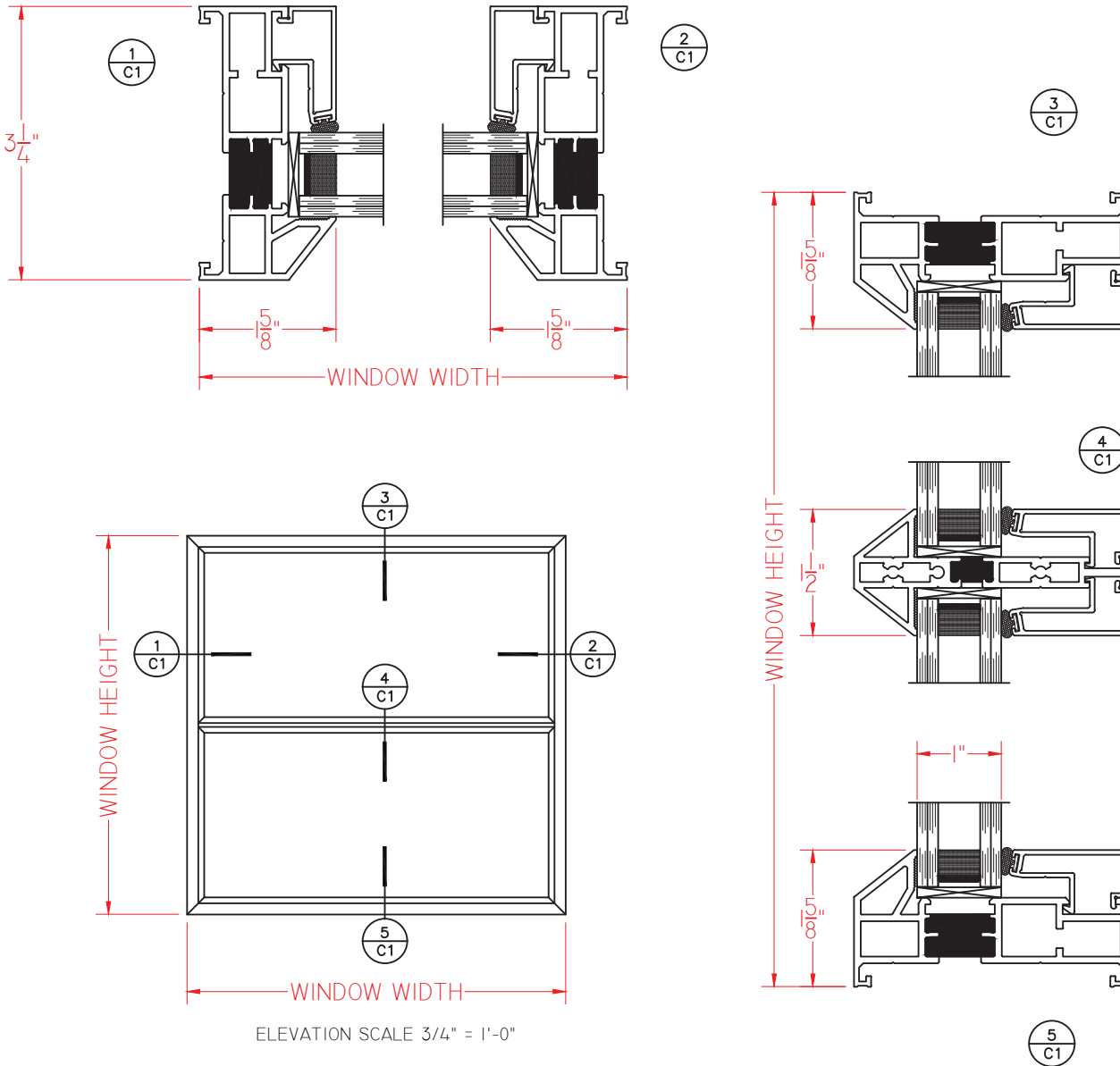


Our products are tested to the standards of and certified by some of the foremost organizations in the fenestration industry.



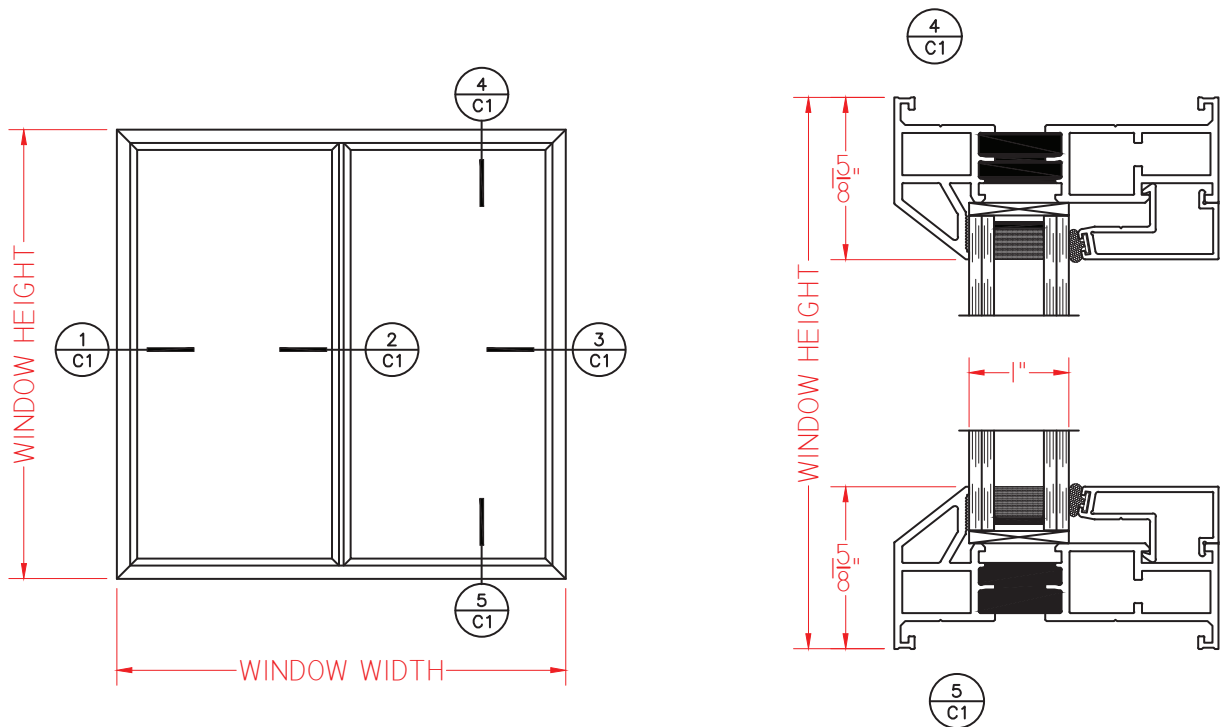
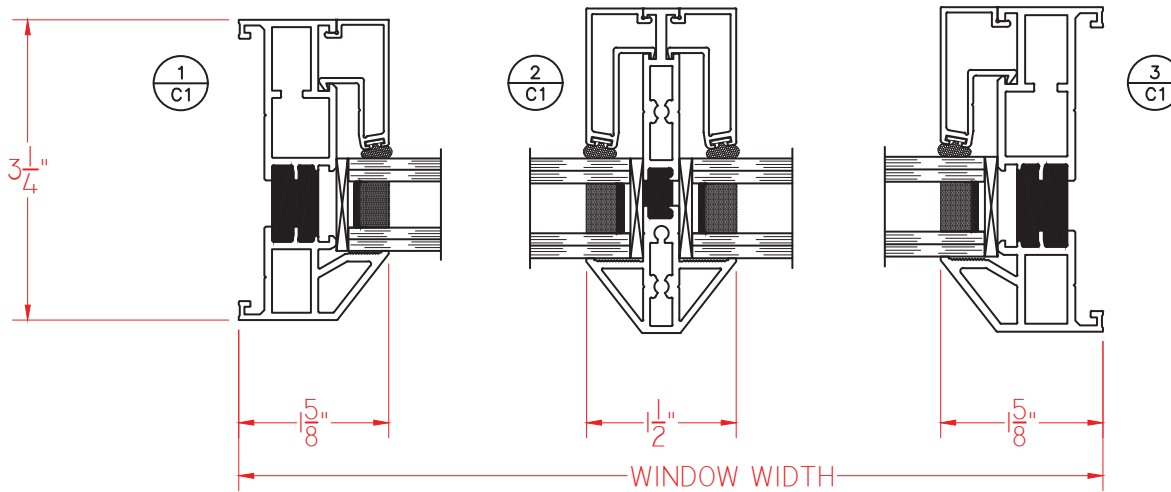
H450 FIXED/FIXED (PICTURE WINDOW/PICTURE WINDOW)

This document contains confidential and proprietary information intended for the private use of Quaker.
© 2020 Quaker Window Products Co., INC. All rights reserved.
Quaker reserves the right to change any/all designs without notice. Due to periodic re-certification requirements, result shown may vary.



H450 FIXED/FIXED (PICTURE WINDOW/PICTURE WINDOW)

This document contains confidential and proprietary information intended for the private use of Quaker.
© 2020 Quaker Window Products Co., INC. All rights reserved.
Quaker reserves the right to change any/all designs without notice. Due to periodic re-certification requirements, result shown may vary.



Our products are tested to the standards of and certified by some of the foremost organizations in the fenestration industry.



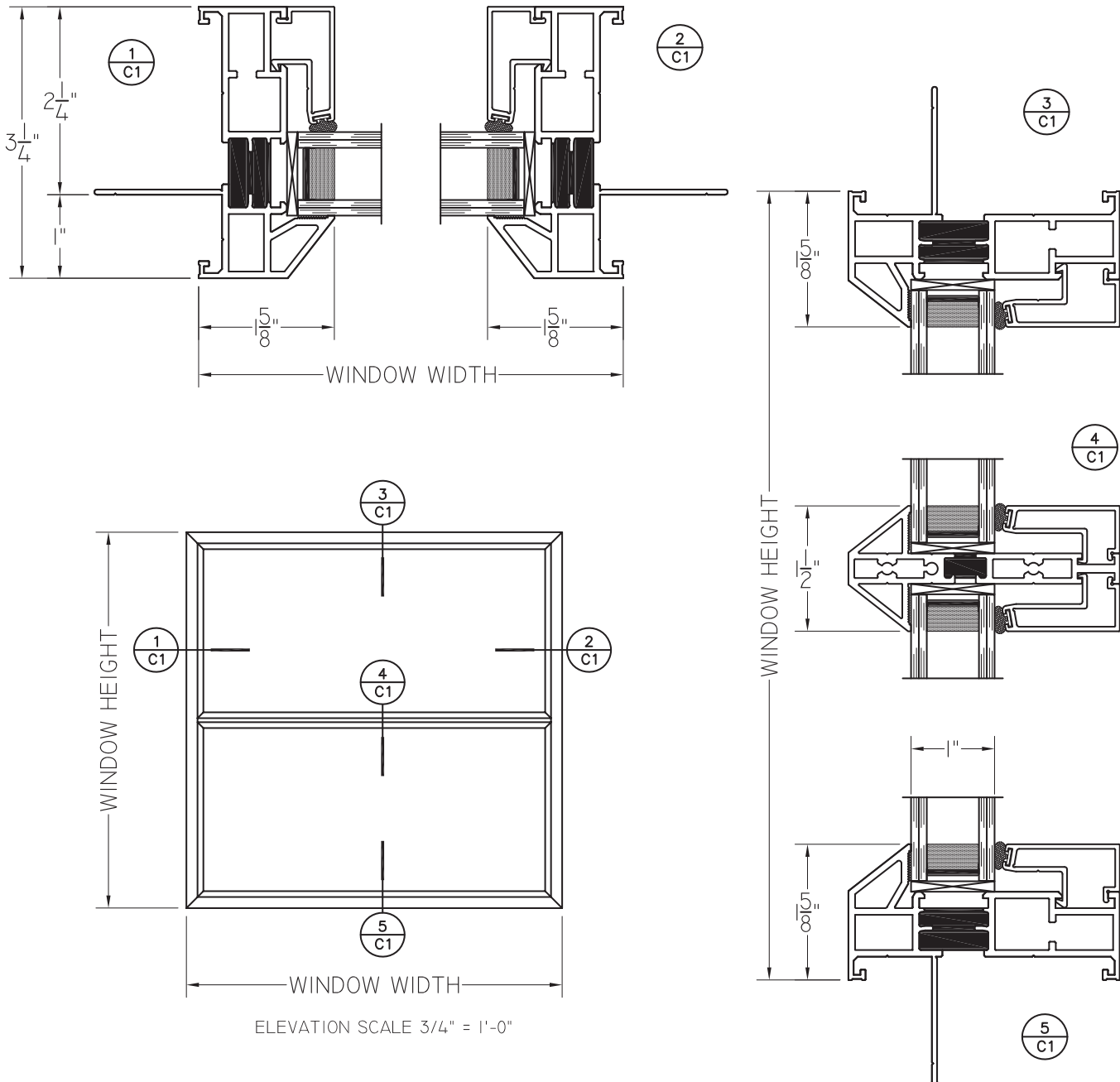


H450 Series 3 1/4" Frame Depth Fixed

H450 FIXED/FIXED (PICTURE WINDOW/PICTURE WINDOW)

WITH
OPTIONAL
NAIL FIN

This document contains confidential and proprietary information intended for the private use of Quaker.
© 2020 Quaker Window Products Co., INC. All rights reserved.
Quaker reserves the right to change any/all designs without notice. Due to periodic re-certification requirements, result shown may vary.



Our products are tested to the standards of and certified by some of the foremost organizations in the fenestration industry.



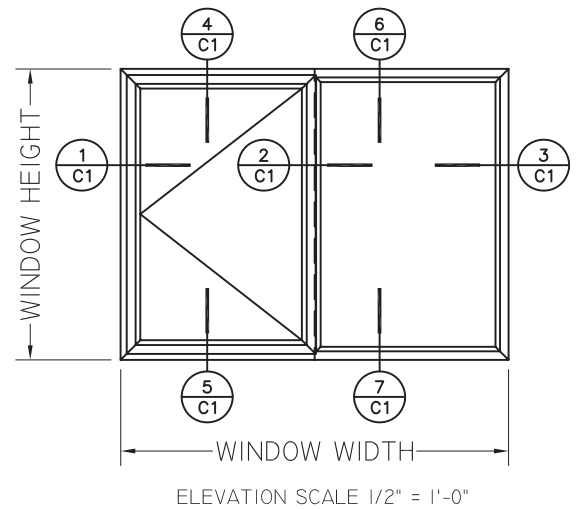
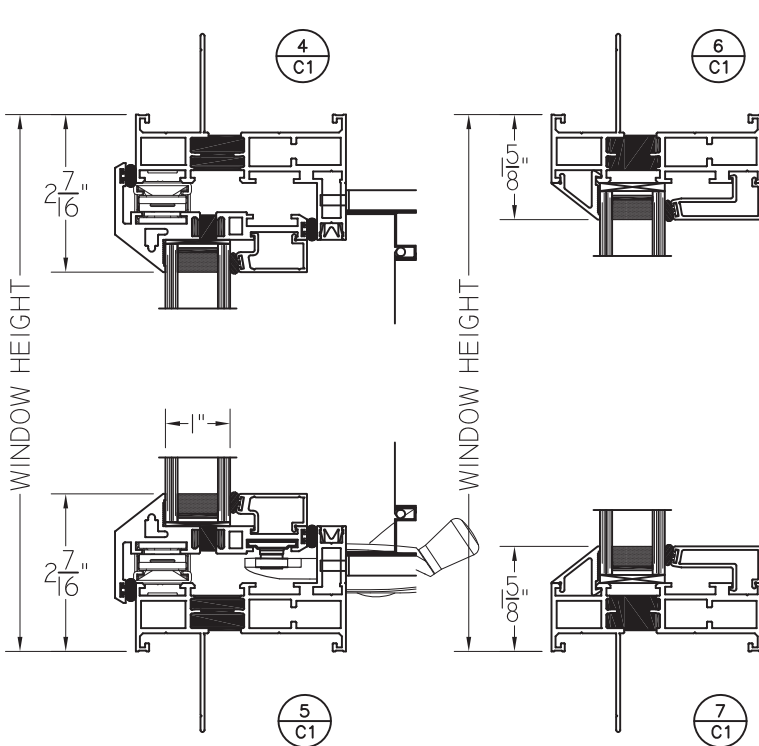
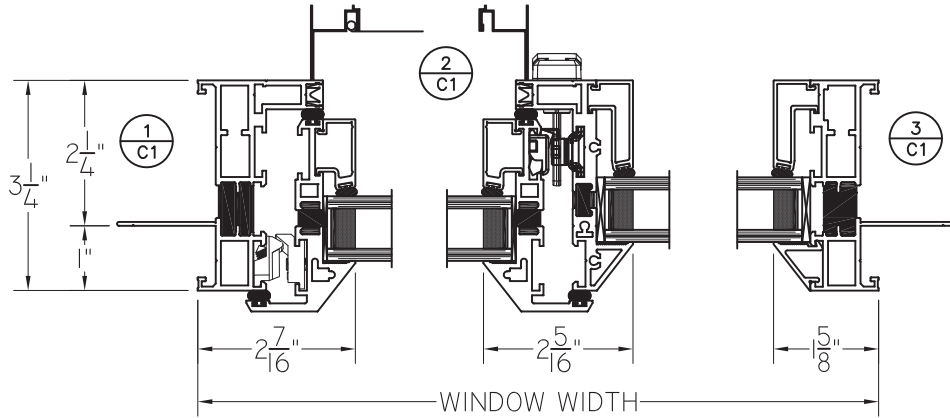


H450 Series 3 1/4" Frame Depth Fixed

H450 CASEMENT/FIXED (CASEMENT/PICTURE WINDOW)

WITH
OPTIONAL
NAIL FIN

This document contains confidential and proprietary information intended for the private use of Quaker.
© 2020 Quaker Window Products Co., INC. All rights reserved.
Quaker reserves the right to change any/all designs without notice. Due to periodic re-certification requirements, result shown may vary.



SHEET C1
SCALE 1:3

Our products are tested to the standards of and certified by some of the foremost organizations in the fenestration industry.

